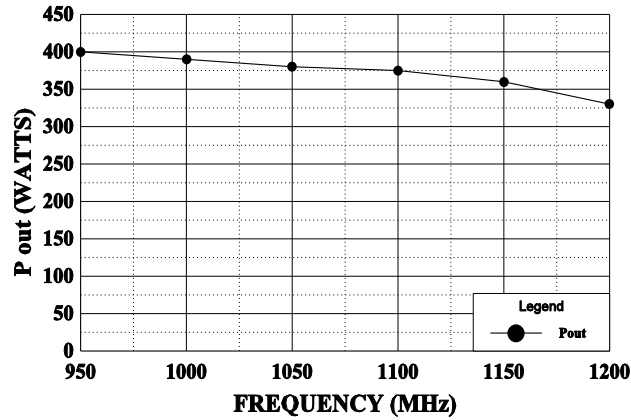


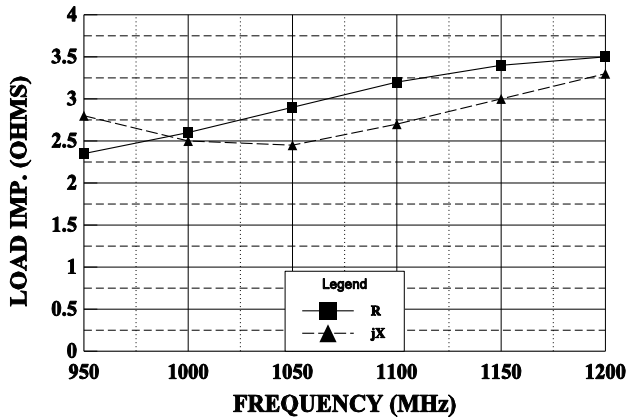
BROADBAND POWER OUTPUT vs FREQUENCY

Vcc = 50 V, Pin = 60 W



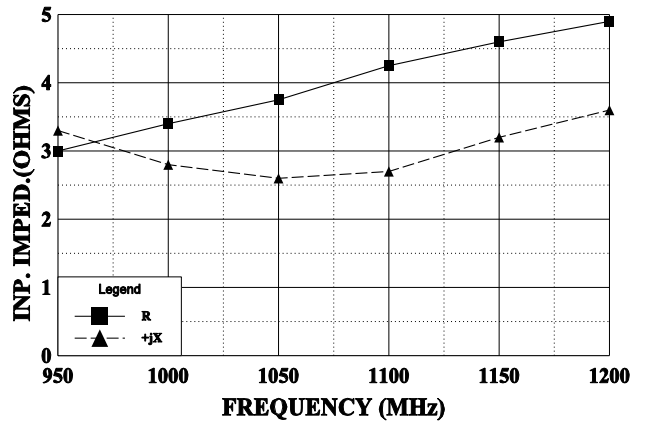
SERIES COLLECTOR LOAD IMPEDANCE

Vcc = 50 V, Pin = 60 W



SERIES INPUT IMPEDANCE vs FREQUENCY

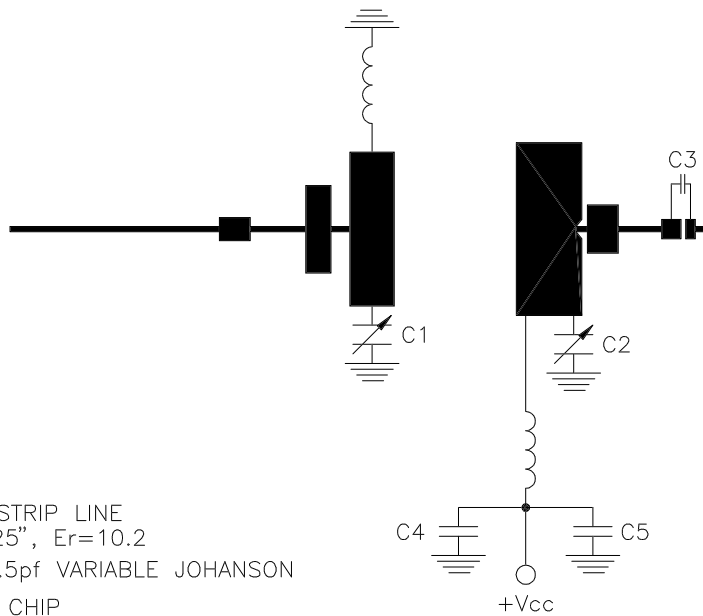
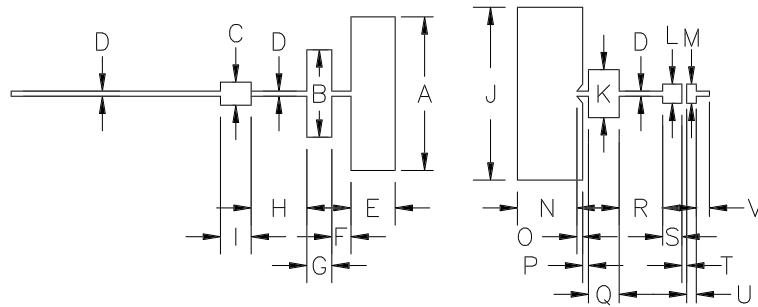
Vcc = 50 V, Pin = 60 W



REVISIONS

ZONE	REV	DESCRIPTION	DATE	APPROVED
------	-----	-------------	------	----------

DIM	INCHES
A	.800
B	.455
C	.120
D	.026
E	.230
F	.100
G	.130
H	.290
I	.160
J	.900
K	.250
L	.100
M	.100
N	.310
O	.030
P	.030
Q	.160
R	.227
S	.100
T	.025
U	.050
V	.068



- MICROSTRIP LINE
t=0.025", Er=10.2
- C1,C2 = 0.3-3.5pf VARIABLE JOHANSON
- C3 = 100pf CHIP
- C4 = 0.1μfd
- C5 = 220μfd @ 65V